

UVGERMI®

ULTRAVIOLETS DE HAUTE TECHNOLOGIE

*Specialist in
microbiological water treatment
using ultraviolet reactors.*

● ○ ● MADE IN FRANCE

14000389_A_FT10

GERMI AP 60 ACS-UV

> **Flow rate:** from 0.8 to 3.1 m³/h

The treatment of water for human consumption in communal facilities requires equipment that has been ACS-UV accredited in compliance with the decree of 9 October 2012 on the conditions of selling and using reactors with UV radiation lamps for the treatment of water for human consumption.

TECHNICAL SPECIFICATIONS

 **ACS UV no.: 24 UV NY 004**, Certificate provided on request.

UV LAMP

Total electrical power:	60 Watts (1 lamp)
Germicidal power:	18 Watts UVc
Lamp service life:	9,000 hours or 1 year (maximum limit of 5 starts per 24-hour period)

UV REACTOR

Treatment chamber:	Stainless steel 316L
Input/Output:	1"
Operating pressure:	8 bars

ELECTRICAL BOX

Dimensions (mm):	190 x 204 x 72
Total electrical power:	60 Watts
Power supply:	240 V / 50-60 Hz
On/off switch / LCD display / Lamp status indicator / UV sensor display / Fault display / Lamp hour counter	



CE

Warranty: 2 years

After-sales in France



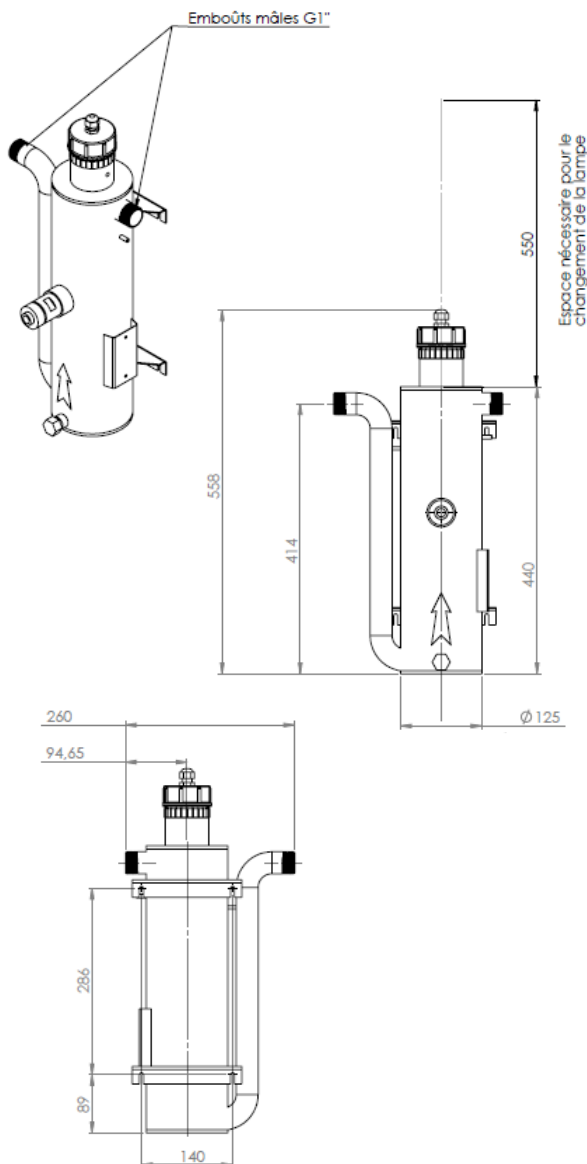
ASSOCIATED PRODUCTS

60 W UV lamp (special):	14000453
Quartz sleeve:	15000755
O-ring:	14000290

14000389_A_FT10

GERMI AP 60 ACS-UV

> **Flow rate:** from 0.8 to 3.1 m³/h



INSTALLATION

The **GERMI AP 60 ACS** is installed vertically on the main water supply pipe. The water must flow in the direction indicated by the arrows on the UV chamber. Shut-off valves must be installed upstream and downstream of the unit.

Sufficient space must be left above the **GERMI AP 60 ACS** (at least 0.5 m) or allow for easy dismantling of the unit (bypass) to replace the UV lamp. Pay attention to the accumulation of air in the upper part and install an air bleed if necessary.

ACCREDITED FLOW RATES

TYPICAL VALUES FOR 400 J/m ²	
Maximal flow (m ³ /h)	Transmittance at 254 nm over 10 nm (%)
0.80	85.6
1.90	90
2.75	95
3.10	98

MAINTENANCE

The reactor requires little maintenance or monitoring: check lamp service life and clogging of the quartz sleeve. Effectiveness will be reduced when the lamp approaches the end of its service life. It must be replaced every 9,000 hours or every year.

The quartz sleeve makes lamp replacement much easier: the unit does not have to be drained or dismantled. The sleeve may become clogged and should be cleaned 1-3 times per year with a mild acid, depending on the nature of the water. The sleeve must be replaced every 4 to 5 years.